

Celebrity® Double Bowl
20 Gauge, Type 304, Self Rim
Model CMR3322



SPECIFICATIONS

GENERAL

Good quality Celebrity double bowl sink is seamlessly drawn of #20 gauge, type 304 (18-8) nickel bearing stainless steel. Self-rimming. Exclusive trimmed corner design.

DESIGN FEATURES

Bowl Depths: 7" (Right Bowl), 5" (Left Bowl).
 Coved Corners: 3" vertical radius.
 Bowl and Faucet Deck Recess: 3/16" total recess below outside of sink.
 Finish: Exposed surfaces are machine polished to a highlighted finish.
 Underside: Fully undercoated to prevent condensation and deaden sound.

OTHER

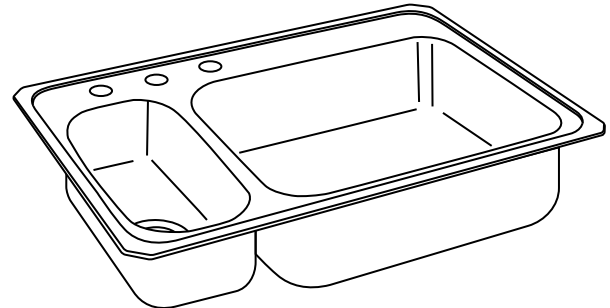
Drain Opening: 3-1/2".
 Faucet Holes: Available with 0, 1, 3, 4 or 5, 1-1/2" diameter faucet holes. 4" center to center.
 Note: Unless otherwise specified, sink is furnished with four faucet holes.

OPTIONAL ACCESSORIES

Rinsing Baskets: LKRB1520 and LKRB715.
 Cutting Board: CB816.
 This sink complies with ANSI Standard A112.19.3M.



This sink is listed by the International Association of Plumbing and Mechanical Officials as meeting the requirements of the Uniform Plumbing Code.

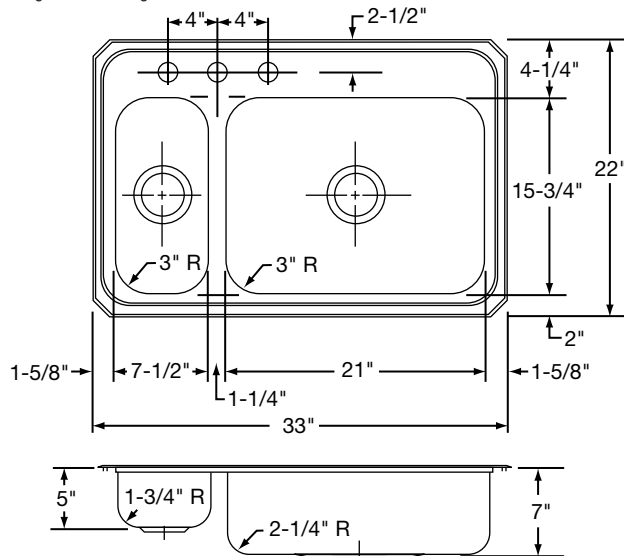


Model CMR33223

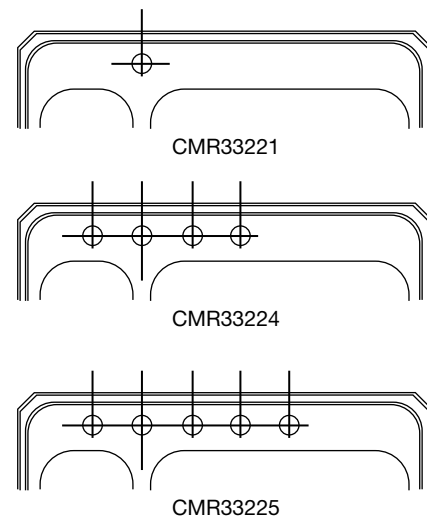
SINK DIMENSIONS (INCHES)*

Model Number	Overall		Inside Left Bowl			Inside Right Bowl			Cutout in Countertop (1 1/2" Radius Corners)		No. of 1 1/2" Dia. Faucet Holes 4" Centers	Ship. Wt. Lbs.
	L	W	L	W	D	L	W	D	L	W		
CMR3322	33	22	7 1/2	15 3/4	5	21	15 3/4	7	32 3/8	21 3/8	0, 1, 3, 4 or 5	15 1/2

*Length is left to right. Width is front to back.



HOLE DRILLING CONFIGURATIONS



ALL DIMENSIONS IN INCHES, TO CONVERT TO MILLIMETERS MULTIPLY BY 25.4.

In keeping with our policy of continuing product improvement, Elkay reserves the right to change product specifications without notice.

This specification describes an Elkay product with design, quality and functional benefits to the user. When making a comparison of other producers' offerings, be certain these features are not overlooked.